

FIRE RATED HINGED COLD ROOM DOOR FHG 608

FOR FREEZERS AND CHILLERS

T60 min
protection
from fire

TESTED ACCORDING TO
CE EN 1634-1 STANDARD



T60 min FIRE RATED HINGED COLD ROOM DOOR

Fire doors offer the safest solution to the cold room doors, providing protection from the fire for more than 60 minutes. They are constructed with high technology fireproof materials and they bear **CE EN 1634-1** certification, in order to ensure fire safety.

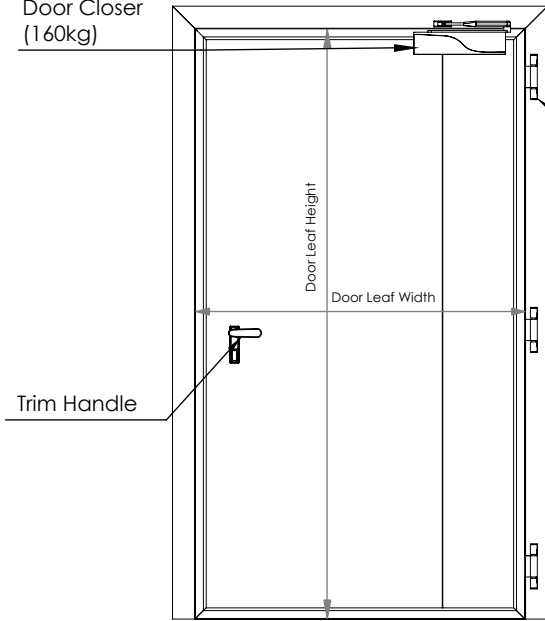


Tested according to
European Standards CE EN 1634-1

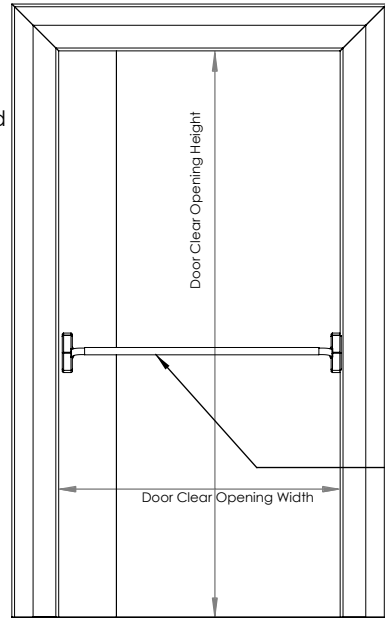
- **Door leaf thickness** 120mm providing insulation for low temperature freezer and positive temperature chiller doors.
- **Galvanized sheet** (thickness 0,5mm) is used with external foodsafe antibacterial coating plastisol (250µm).
- Inside the door high tech materials are combined with non flammable **polyurethane** according to **DIN 4102-1**.
- Fire protection non - flammable material materials providing fire endurance up to 60min.
- **Fire Rated and Insulation seals** are used at top, left and right side.
- Fire Rated special **drop down double seal** is used at the bottom of the door.
- For thermal insulation, perimetrical on the door leaf single row of special **insulating gaskets** are used. At the bottom of the door **sweep gasket** is used.
- **Heating elements** are used inside frame and inside threshold in chiller and freezer door.
- Stainless steel 304 insulated with high-tech materials, **frame** (sheet metal thickness 1,5mm) for all panel thicknesses 120mm-250mm.
- Heavy duty hinges (set of three pieces) used with self-closing mechanism.
- Fire rated exit door **handle** with or without lock key hole.
- Heavy duty fire tested **door closer** for door weight up to 160 kg with springs.
- Fire rated **Panic Bar** is mounted on push side of the door with Steel latches.

T60 min FIRE RATED HINGED COLD ROOM DOOR

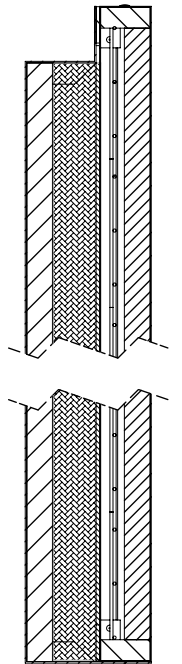
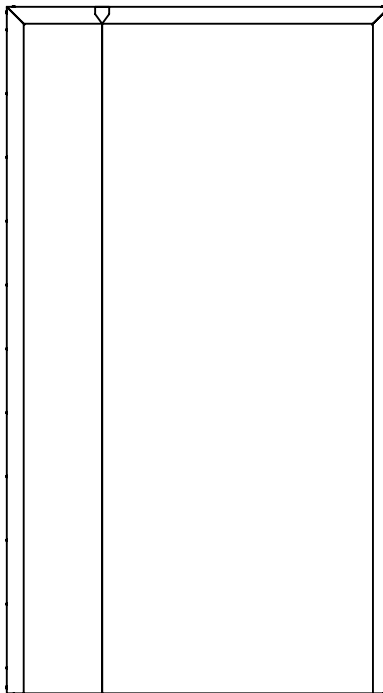
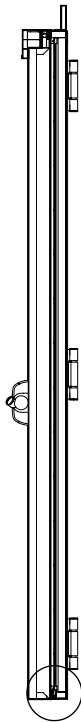
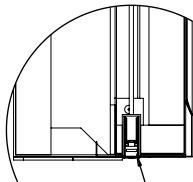
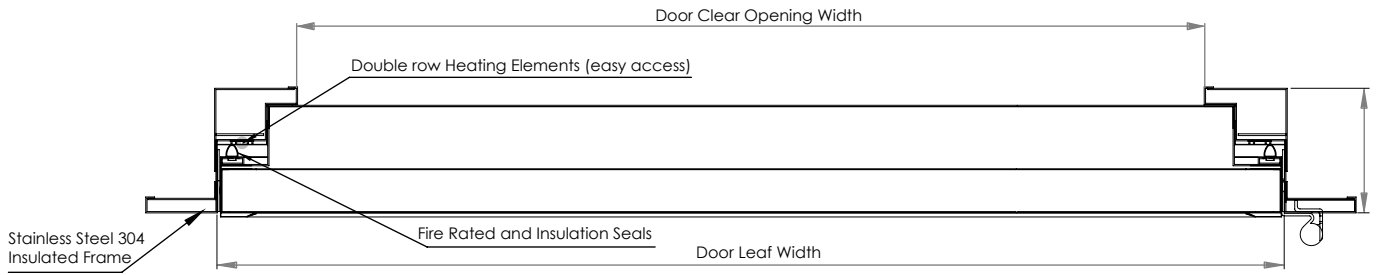
Heavy Duty
Fire Tested
Door Closer
(160kg)



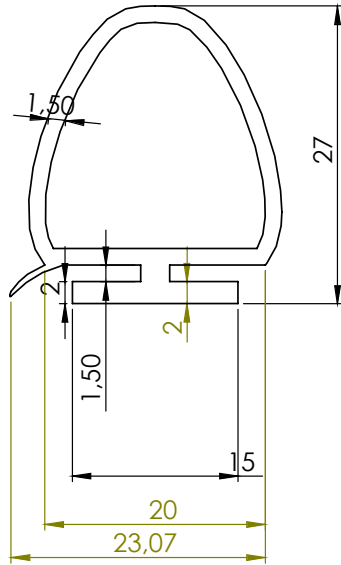
Fire Rated
Hinges
Galvanized
or Inox 304



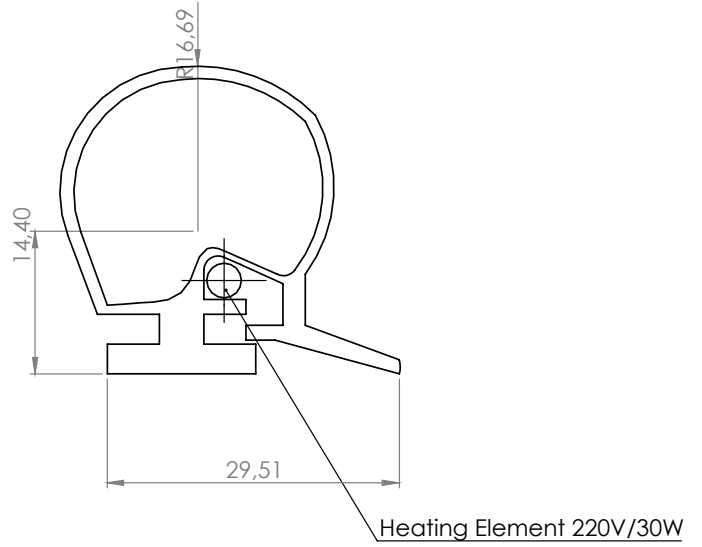
Door Clear Opening Width



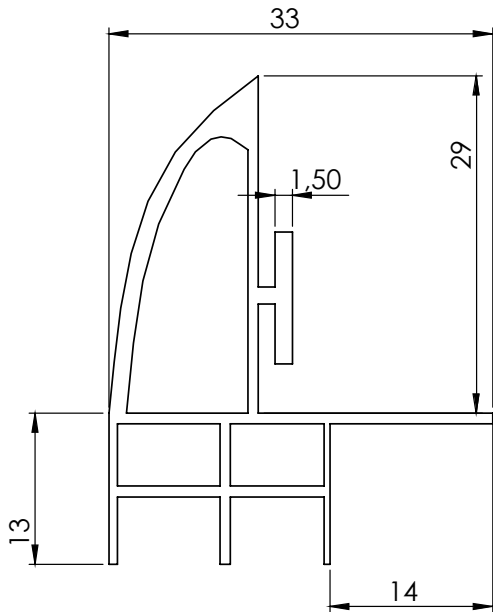
CHILLING GASKET



CHILLING FREEZER GASKET



SWEEP GASKET



SWEEP FREEZER GASKET

